

Stephan Dahlmann

Mechanik und Antriebstechnik GmbH

MAXDRV

Square Drive Torque Wrench



Stephan Dahlmann

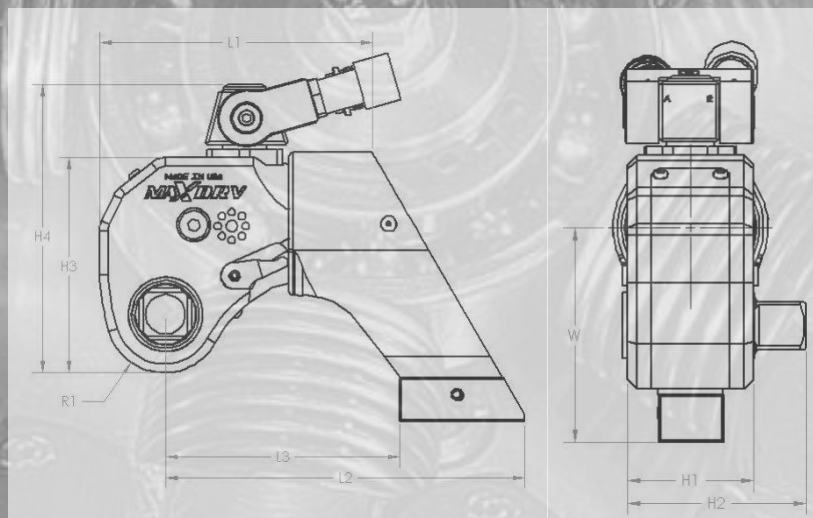
Mechanik und Antriebstechnik GmbH

MAXDRV – Square Drive Torque Wrenches take on the toughest bolting jobs without missing a beat. They deliver precision torque during bolt makeup and maximum torque during bolt breakout.

They feature a compact design, constructed of aluminum and super high strength steel alloy for increased strength and durability while minimizing weight. The MAXDRV Series is available from 86 Nm to 44.095 Nm

MAXDRV FEATURES:

- Compact Design/Uni-body Housing
- 1 Year Warranty
- Multi-Directional Swivel Assembly
- Anti-Jam Torque Release Lever
- Best in Industry Strength-to-Weight Ratio



Dimensions metric

Model	.7MD	1MD	3MD	5MD	10MD	17MD	32MD
Torque (Nm)	86 - 1,076	169 - 1,787	418 - 4,294	712 - 7,430	1,423 - 15,193	2,241 - 25,009	4,009 - 44,095
Drive	.75"	.75"	1.00"	1.50"	1.50"	2.50"	2.50"
Weight	1.45 kg	2.27 kg	5.00 kg	8.16 kg	14.51 kg	27.67 kg	44.55 kg
L1	99.1 mm	122.7 mm	157.0 mm	189.7 mm	237.7 mm	275.6 mm	338.8 mm
L2	129.0 mm	158.2 mm	206.5 mm	247.1 mm	310.4 mm	360.7 mm	442.2 mm
L3	84.3 mm	104.4 mm	134.9 mm	162.8 mm	203.7 mm	233.4 mm	289.8 mm
H1	41.1 mm	50.0 mm	66.8 mm	80.3 mm	100.3 mm	117.6 mm	140.0 mm
H2	65.0 mm	73.2 mm	94.5 mm	125.2 mm	146.1 mm	177.3 mm	205.7 mm
H3	76.7 mm	95.8 mm	124.0 mm	151.6 mm	186.7 mm	215.9 mm	265.9 mm
H4	108.9 mm	126.2 mm	164.1 mm	195.8 mm	229.6 mm	263.1 mm	309.1 mm
W	38.1 mm	87.6 mm	114.1 mm	136.9 mm	170.9 mm	198.6 mm	243.8 mm
R1	21.1 mm	26.4 mm	33.3 mm	41.4 mm	51.6 mm	58.9 mm	73.2 mm

Dimensions imperial

Model	.7MD	1MD	3MD	5MD	10MD	17MD	32MD
Torque (ft.-lbs.)	64 - 793	125 - 1,318	308 - 3,167	525 - 5,480	1,050 - 11,206	1,653 - 18,449	2,957 - 32,523
Drive	.75"	.75"	1.00"	1.50"	1.50"	2.50"	2.50"
Weight	3.2 lbs	5 lbs	11 lbs	18 lbs	32 lbs	61 lbs	98 lbs
L1	3.90"	4.83"	6.18"	7.47"	9.36"	10.85"	13.34"
L2	5.08"	6.23"	8.13"	9.73"	12.22"	14.20"	17.41"
L3	3.32"	4.11"	5.31"	6.41"	8.02"	9.19"	11.41"
H1	1.62"	1.97"	2.63"	3.16"	3.95"	4.63"	5.63"
H2	2.56"	2.88"	3.72"	4.93"	5.75"	6.98"	8.10"
H3	3.02"	3.77"	4.88"	5.97"	7.35"	8.50"	10.47"
H4	4.29"	4.97"	6.46"	7.71"	9.04"	10.36"	12.17"
W	1.50"	3.45"	4.49"	5.39"	6.73"	7.82"	9.60"
R1	.83"	1.04"	1.31"	1.63"	2.03"	2.32"	2.88"